



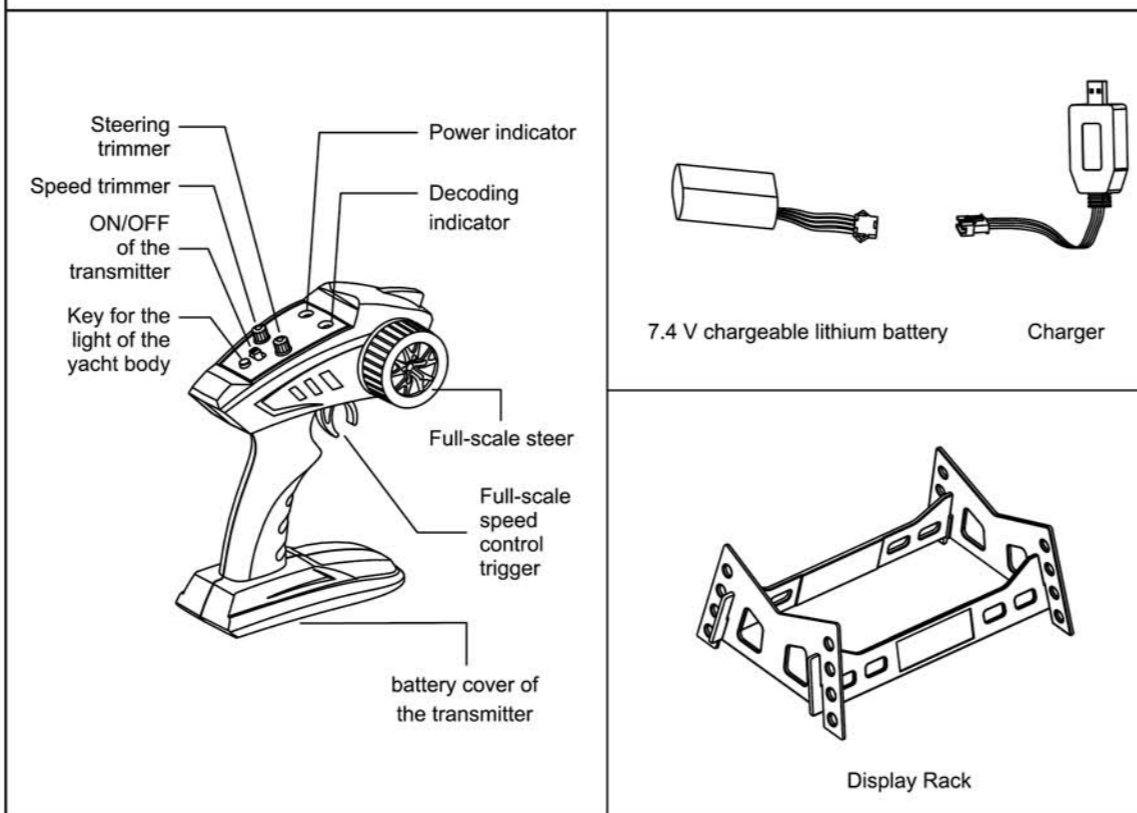
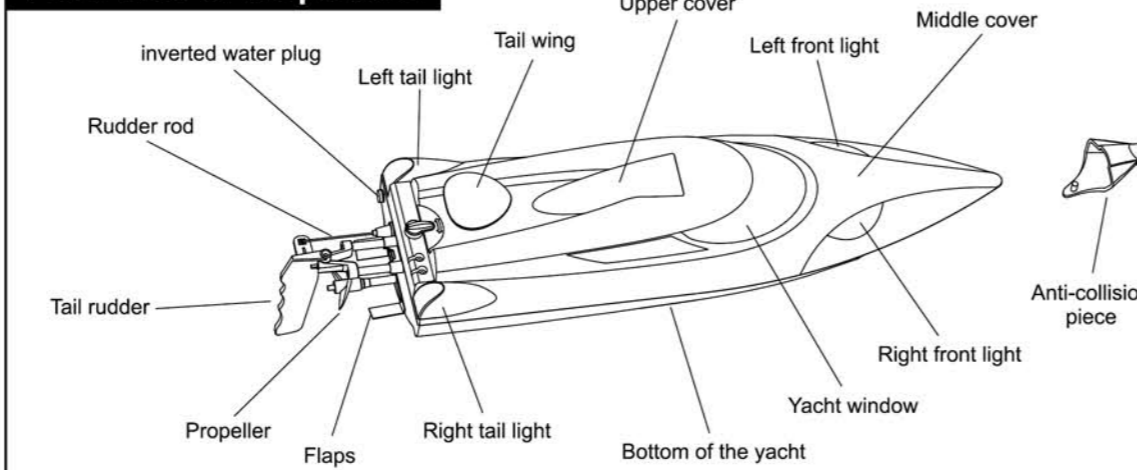
★ Please read this instruction manual carefully before using. The illustration and view may be varied from the real object. Please be subject to the real object.

Product parameters	Length	Width	Height	Frequency	Remote control distance	Driving Time	Max.Speed	Battery required in the yacht	Battery required in the transmitter
	470mm	118mm	135mm	2.4G	≥200m	Approx 9 minutes	35km/h	7.4V lithium battery	4x1.5V AA

Product characteristics

- 2.4G auto-decoding technology is applied on this product, super anti-interference performance, which can realize more players to play in the same time.
- Front and rear light is loaded on this racing yacht, which makes it quickly become a focus. It can be played in the night time as well.
- Off-water Induction: The yacht can switch off automatically when it is off the water so as to avoid being wounded due to touch the high-speed rotating propeller.
- Anti-overtum function: Overtum may be happened during the course of sailing. You can control the yacht body to overturn by using the transmitter so as to ensure normal navigation.
- Low-voltage protection function: When there is insufficient power with the battery during the course of navigation, the light on the yacht body will be flashing and the green light on the transmitter will keep slow flashing and send out lasting reminding sound of "di", "di", "di", which helps effectively the racing yacht to return to the shore.
- The internal water-cooling circulation system of the Racing Yacht can help effectively extend the using life of the motor.
- Full-scale steering rudder is applied on this Racing Yacht, which makes it more smart in operation and more enjoyable when sailing.
- 540 main motor is applied on this Racing Yacht with dynamic power. The maximum forward driving speed can reach 35km/h.
- 7.4V chargeable battery is required on this Racing Yacht, which makes it navigate for longer time and keep longer using life.
- Steering trimmer is loaded on the transmitter so as to make sure that this yacht can be sailing in a straight line.
- Speed Trimmer is loaded on the transmitter, even the green hand can play happily.
- Battery volume indicator is loaded on the transmitter. When the red light gets flashing, it represents insufficient power with the transmitter. This time please replace the batteries in time.

Plane view of the product



Preparation before playing

- As picture 1 shown, open the battery cover of the transmitter, then load 4 PCS "AA" batteries (Batteries are not included), and then close it with the battery cover.
- Before switching on the transmitter, please make sure the speed controller and steer should be kept in the original state. The steering trimmer should be in the neutral position (The concave point on the trimmer key should aim to the central position of the trimmer which lies on the stickers of the transmitter.)

Charging to the Power Battery

Plug the original chargeable lithium battery included into the USB charger (buckling position should be matched with the groove position). Then plug the USB charger into your own chargeable adaptor or into the USB port of the working computer. This time the red indicator of the USB will be "ON", which represents the batteries are under charging. Charging time is about 180 minutes. When the green light is "ON", it represents the charging is finished. Please disconnect all the links.

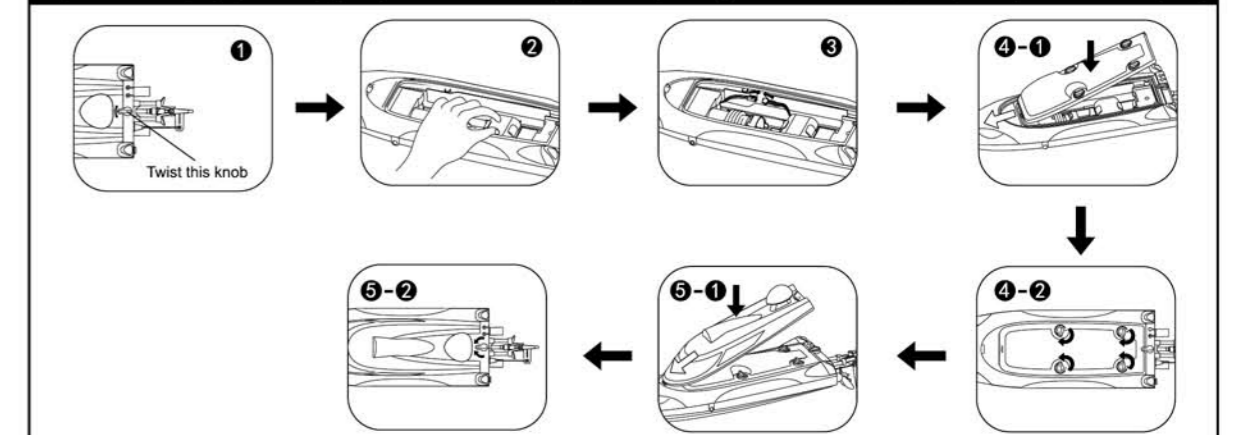
CAUTION

- ★ Only charger included can be used for charging this product
- ★ User should be on the spot when charging.
- ★ If the battery is found very hot during the course of charging, please stop charging immediately.
- ★ When you do not need to charge it, please disconnect the charger from the battery plug and switch off the power.
- ★ Once the battery appears abnormal odor or battery gets heated suddenly or deformed or discolored or any other abnormal phenomenon during the course of using or charging, please stop using this battery immediately.
- ★ When finish driving, it is highly suggested that you wait for 30 minutes before charging the battery if the temperature of the battery is still too high, which helps extend the using life of the battery.
- ★ You need to fully charge it before storing so as to avoid being damaged due to excessive discharging of the battery.
- ★ If you are not sure about the work flow of charging, please feel free to contact our company or our sales agent.

WARNING

- ★ Disassembling or re-equipping the battery is HIGHLY FORBIDDEN.
- ★ Short-circuit is HIGHLY FORBIDDEN.
- ★ Throwing the battery into the water is HIGHLY FORBIDDEN.
- ★ Directly contacting the fluid leakage of the battery is HIGHLY FORBIDDEN.
- ★ Inserting the object of sharp edge into the battery or other way of damaging the battery is HIGHLY FORBIDDEN.
- ★ Please do follow the charging requirement and use the charger assigned to charge the battery.
- ★ Striking or throwing the battery is HIGHLY FORBIDDEN.
- ★ Charging the battery near the fire or charging under the direct sunshine is HIGHLY FORBIDDEN.
- ★ Using the damaged or deformed battery is HIGHLY FORBIDDEN.

Preparation before playing the racing yacht(Please read it carefully by following the Sequence Number corresponding to the picture and description).



- Place this racing yacht on a level surface. Twist the knob off the the hatch as the arrow indicated and then take turn to remove the hatch and the inner cover.
- Load the lithium battery into the battery holder inside the yacht body and make sure it won't shake.
- Please connect the power plug on the plate box with the plug wire of the lithium battery as per the correct way of connection (groove position should be matched with the buckling position).
- When finish loading the battery, please insert the hatch buckle into the front of the middle cover, push it to the end and buckle it. Then twist 4 pieces of knobs in the inner hatch cover to the lock position as the mark indicated.
- Insert the upper cover into the corresponding position of the middle cover of the yacht body. Press down to the groove of the middle cover, and then buckle the knob of the tail middle cover of the yacht body onto the convex point of the upper cover.

Ready for sailing & Decoding Instruction

- Firstly please switch on the power of the debugged transmitter, this time the green light on the transmitter gets flashing. Put the racing yacht into the water, the ON/OFF of the yacht body will switch on automatically and the light of the yacht body will be flashing. This time you will hear one sound of "di" sending out from the transmitter and the green light of the transmitter will keep eternal bright "ON" and the yacht body light keeps eternal bright "ON" as well, which represents the decoding has been successfully finished. This time you can control this racing yacht freely. When more racing yachts are used in the same time, you can not make decoding in the same time but need to make decoding one by one. Otherwise it may cause failing to make decoding or even make wrong decoding.
- Decoding has memorizing function. In the case of accidental decoding or wrong decoding or buying new transmitter, you are required to make new memory and re-decoding. This time please press down the key for yacht body light while toggling the power switch of the transmitter to the "ON" position. This time the green light of the transmitter will be flashing and you can put the racing yacht on the water. This time you will hear two sounds of "di, di" sending out from the transmitter and the green light of the transmitter will become eternal bright "ON", which represents the decoding is finished.

CAUTION

- This product is suitable to be played by children on or more than 14 years old.
- Please DO NOT play on the riverside where has more grass or weeds as the weed or grass may be entangled with the propeller and cause the yacht to stop sailing.
- Sailing in the swimming pool or sailing on the water surface that have people swimming is HIGHLY FORBIDDEN as it may cause wounded to people.
- Please DO NOT control this racing yacht beyond the controlling scope when playing this yacht so as to avoid losing control.
- The racing yacht CAN NOT be used sailing on the salted water so as to avoid damaging the spare parts.
- When using this yacht for the first time, there may be trivial smog appears and this is the normal phenomenon. This phenomenon will disappear after playing several circulations.

WARM TIPS: When finish driving, firstly please take the racing yacht from the water and then switch off the power of the transmitter. Otherwise it may cause losing control due to be affected by other signal.

Operation

<p>Forward</p>	<p>Pull the trigger of the transmitter slowly backward and the propeller will make rotating in anti-clockwise direction and this time the racing yacht will be sailing forward. With the bigger angle of the trigger angle, the speed will get faster gradually.</p>
<p>Backward</p>	<p>Push the trigger of the transmitter slowly forward and the propeller will make rotating in clockwise direction and this time the racing yacht will be sailing backward. With the bigger angle of the trigger, the speed will get faster gradually.</p>
<p>Turn-left</p>	<p>During the course of sailing forward, if you steer to the left, the tail rudder will deviate to the left and the racing yacht will turn left. With the bigger of the steering angle, the turning radius of the racing yacht becomes smaller.</p>
<p>Turn-right</p>	<p>During the course of sailing forward, if you steer to the right, the tail rudder will deviate to the right and the racing yacht will turn right. With the bigger of the steering angle, the turning radius of the racing yacht becomes smaller.</p>
<p>Anti-overtum function</p>	<p>When meeting overturning during the course of sailing, please trigger the transmitter to the great length and make the rotating speed of the propeller reach the maximum. Then trigger the transmitter forward to the great length (DO NOT OPERATE THE STEER) and you can save the yacht from overturning.</p>

Using of Trimmer

- If you are a green hand, please trim the speed to the middle position, turn left for deceleration, turn right for acceleration, you can choose the right speed for playing.
- During the course of driving in a straight line, if it deviates to the left, you can turn slowly the steering trimmer to the right. If it deviates to the right, you can the steering trimmer to the left until the yacht can be driving in a straight line.

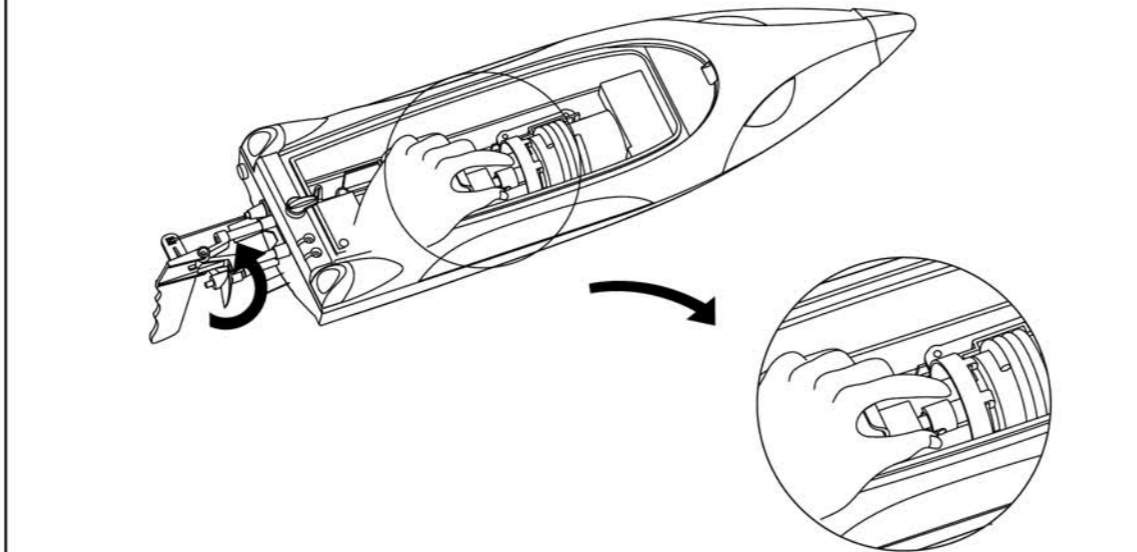
Safety Precautions

When the propeller is rotating, please DO NOT touch it. Otherwise it may cause injury.

During the course of using or after using this yacht, the motor may produce high temperature. Please DO NOT touch it as it may cause wounded.

Replacement of the propeller

If the propeller breaks up accidentally, please use one hand or other tool to hold the ball-head seat and please do not let it be rotating. Use another hand to block tightly the hexagonal screws by using the spare wrench. Remove the damaged propeller and replace it with spare propeller. Then wrench tightly the screws in clockwise direction.



Maintenance

- The surface of this product should avoid being exposed in the sunlight for a long time. In the case staining the oil and dirt, please use neutral detergent added with clear water to clean.
- Please clean the yacht before storing it so as to make sure no moisture or dirt on this product.
- Please remove the lithium battery from the yacht body before storing it. Please also charge the battery till full before storing it.
- Please remove the batteries inside the transmitter before storing it so as to avoid the fluid leakage of the battery may damage the transmitter.

Low-voltage protection

Low voltage protection of the racing yacht:
 When there is insufficient power with your racing yacht, the yacht may stop racing instantly when it is still under control and the yacht body light is flashing, which represents it has entered into the state of low-voltage protection. This time the transmitter will send out the lasting reminding sound of "di, di" and the green light will be flashing. This time please release the trigger of the speed control to the original position, and then trigger it to race to the shore (when the racing yacht has entered into the low-voltage protection, the battery is near exhaustion, the driving speed will slow down. For the sake of safety return, please race to the shore right away).

Low voltage reminding of the transmitter:
 When there is insufficient power with the transmitter, the power indicator (red light) on the transmitter will appear slow flashing, which reminds you of using one spare battery into the transmitter so as to avoid insufficient power happened and cause the yacht can not return due to insufficient power with the transmitter.

WARNING

- ★ Please follow this instruction manual and the packing requirement to correctly assemble and use this product. Some parts can be assembled by the adult. The product should be used under the surveillance of the adult.
- ★ Small parts are contained in this product and it may have CHOKING HAZARD.
- ★ Please collect in time all the packing material so as to avoid the children being injured by accident.
- ★ The protecting film on the color box can only be used for the purpose of transportation and protecting the color box. Please remove it before selling and using and well keep it. Please place it beyond the reach of the children.
- ★ Please keep certain safe distance from the high-speed rotation of propeller so as to avoid causing the danger of being wounded or wrung.
- ★ The battery and motor are the heating components. Please DO NOT touch it so as to avoid causing the danger of being ironed.
- ★ Warning message of the Radio Control Model: (1) In order to ensure the requirements of the electromagnetic environment formulated by the Airline Radio Station can be carried out, using various kinds of transmitters within the area of 5000 meters is HIGHLY FORBIDDEN. The concept of area will be calculated by taking the central point of the runway in the airport as the center point and keep radius of 5000 meters. (2) During the course of regulation commands and restricted area formulated by the relevant departments of China, please stop using the transmitter.
- ★ Laser radiation, Please DO NOT gaze into the light.
- ★ Playing in the deep water is HIGHLY FORBIDDEN so as not to cause accident.
- ★ This Model can only be connected with the safe equipment in the category II
- ★ Only when this product can be completely assembled as per the requirement of the instruction can this product be normal using.
- ★ This model is one NON-FIRST-AID item.
- ★ Charger, battery compartment, battery are all required to be inserted into the assigned power or the power of the same brand.
- ★ Only the original charger included can be used.
- ★ This charger is not a toy.
- ★ Non-rechargeable battery CAN NOT be used for charging.
- ★ Adult should be under the surveillance when charging the battery.
- ★ Old batteries can not be used or mixed with the new ones. Batteries of different brands can not be used.
- ★ Exhausted battery should be removed in time.
- ★ Please remove the batteries when it is not used for a long time.
- ★ Please do disconnect this model with this charger before cleaning.
- ★ Please check periodically the charger, electric wire, plug, outer shell and other parts. In the case there is any damage found, please stop using it right away until it is well required.
- ★ Batteries are to be loaded or replaced as the correct polarity shown.
- ★ Wire end is not to be short-circuited.
- ★ 4PCS 1.5V "AA" Batteries is used on this transmitter. 7.4V chargeable lithium battery pack is applied on this yacht.
- ★ Please DO NOT make short-circuited, decompose or throw it into the fire.
- ★ Important information is contained in this package and instruction, please well keep it for future reference.

Parts are available for selling

B001 Chargeable lithium battery	B002 Transmitter	B003 USB charger	B004 Receiving box
B005 Rudder assembly	B006 motor components	B007 propeller	B008 Single floral axis
B009 fixed copper sleeve	B010 heat radiating tube	B011 tail rudder	B012 stainless steel tube
B013 copper tube component	B014 rudder rod	B015 inverted silica gel plug	B016 sealed part of the pulling rod
B017 front collision	B018 waterproof seal ring	B019 inner cover component	B020 Upper cover red components
B021 Upper cover black components	B022 Upper cover green components	B023 wrench part	