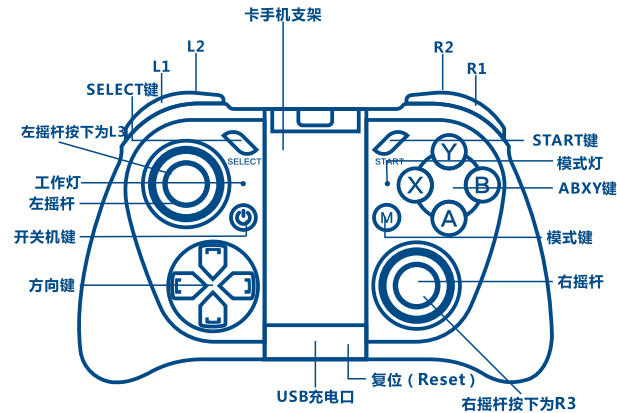




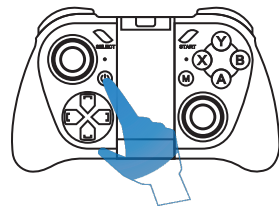
MOCUTE游戏手柄

产品使用说明书



操作说明:

- **开机** 按住开机键(约2秒), 至**工作灯**亮起,手柄开机, 默认为标准自动模式



指定开机模式说明(请在开机状态下操作)
标准自动模式: 按住A键, 再按开机键至蓝色工作灯亮起并闪烁。当连上安卓设备为**标准安卓功能**, 当连上苹果设备, 自动转换为**苹果iCade模式功能**。
安卓MTK模式: 按住Y键, 再按开机键至蓝色工作灯亮起并闪烁。
苹果新游模式: 按住X键, 再按开机键至蓝色工作灯亮起并闪烁。
安卓暴风魔镜控制模式: 按住B键, 再按开机键至蓝色工作灯亮起并闪烁。

说明:

(1)第一次使用指定模式开机后, 下次直接按开机键开机, 默认为之前指定的模式。需要切换其他模式需要在开机时按指定开机模式键切换!
 (2)标准自动模式下, 当连上安卓设备为**标准安卓功能**, 当连上苹果设备, 自动转换为**苹果iCade模式功能**。

- **配对连接** 开机后, 工作灯闪烁, 手柄进入蓝牙配对模式。

使用蓝牙设备搜寻到手柄的地址及名称 (MOCUTE-050-XXX), 点击即可连接。连接成功后, 工作灯熄灭。下次开机将会自动连接到最后配对的蓝牙设备。在关机状态下, 长按开机键超过8秒开机, 工作灯将闪烁, 此时进入重新配对模式, 将不会自动连接上次已配对设备。

- **关机** 长按开机键, 工作灯闪烁至熄灭 (约5秒), 手柄关机。

开机之后5分钟未连接蓝牙设备, 手柄自动关机; 手柄蓝牙连接后30分钟无任何操作, 手柄自动关机。

游戏操作及获取:

- **安卓设备** (标准自动模式)

在系统主界面下, 用左摇杆可以移动光标; A、X键为确认功能; B、Y键为返回功能; 表明手机系统支持国际标准游戏手柄协议, 下载手柄游戏后就可以直接玩了。(**如果不能操作, 请参考安卓MTK联发科设备操作**)
 游戏下载: 扫描说明书的二维码 (或进入www.migamepad.com 网址), 下载迷游派或其他的游戏应用市场。迷游派中的游戏已经是全部支持手柄的游戏, 并支持NES/GB/GBC/SFC/SMD/GBA/N64/MAME/PSX等模拟器游戏。用户可以直接下载模拟器BIN文件到手机内存的Games文件夹下, 就可以用迷游派软件来

感谢您购买本产品, 这是一款多功能蓝牙游戏手柄, 可用于控制手机、平板电脑、TV电视盒、智能电视、PC等; 支持苹果 (iOS) 系统, 安卓 (Android) 系统, PC (Windows) 系统。
重要提醒: 产品规格如有更改, 恕不另行通知。本产品已申请多项专利, 仿冒必究!

打开游戏文件, 如经典游戏: 超级玛丽, 合金弹头, 三国志, 拳皇等。安卓游戏在其它游戏市场一般会有手柄分类, 下载这类游戏连接蓝牙即可直接用手柄操作。这类游戏如: 永恒战士2, 微信游戏 天天炫斗等。(个别游戏可能需要在游戏中设置选择使用手柄GAMEPAD)

- **安卓MTK联发科设备**

像红米3G版, 华为荣耀3X、酷派、中兴等旧款手机采用了联发科CPU, 由于旧的联发科兼容性不好, 并不支持国际标准的GAMEPAD手柄协议。用标准安卓连接方式, 可能会存在功能异常。因此, 我们特别预设了联发科MTK模式, **支持迷游派中的模拟器游戏。**

- **安卓暴风魔镜控制模式** (此时手柄蓝牙名变为Mojing-VR-xxx)

暴风控制模式时专为暴风魔镜APP的控制而设定的! 使用暴风魔镜控制模式进入暴风魔镜APP后, SELECT和A为确认键, START和B为返回键, X为MENU, 左摇杆可在选择界面控制上下左右, 可在播放视频时左快退, 向右快进, 向上加音量, 向下减音量。

- **苹果设备iCade模式**

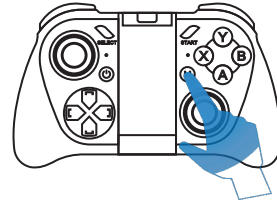
进入苹果应用市场APP Store 或其它苹果市场, 搜索 "icade. 就会找到支持手柄的iCade类型的游戏, 下载并安装即可。如: Akane Lite, Brotherhood, TTR Premium等。
 在进入游戏之前, 先将键盘输入法**设定为英文输入状态**, 可以输入英文字母即可 (如进入浏览器地址栏)。进入游戏就可以操作 (个别游戏可能需要在游戏中设置选择使用手柄iCade)。

- **苹果新游模式**

扫描二维码, 下载《手柄游戏厅》就可使用手柄直接玩里面下载的游戏, 如《全民超神》。也可下载《新游模拟器》, 里面有大量的经典模拟器类型游戏, 同样, 下载之后就可以使用手柄玩啦!

辅助功能:

- **标准安卓设备**



手柄连接后, 点击模式键, 模式灯长亮。开启辅助功能模式!
此时右摇杆=鼠标 L1/R3=鼠标左键
R1=鼠标右键 L2=音量减
R2=音量加 A/L3=确认键
B=返回键 Y=HOME键
START=音乐播放/暂停键
方向键的向右=下一曲 向左=上一曲
向上=快进 向下=快退
 也适用于部分视频播放软件; 再次点击模式键, 模式灯熄灭, 辅助功能模式关闭!

Note: If no connecting with bluetooth device after 5mins, gamepad will power off automatically; after connecting with bluetooth device, if no any operation, gamepad will power off after 30mins.

GAME instructions:

- **Standard Android device** (stand automatic mode)

In Menu, if left joystick can move cursor, A&X button is enter button, B&Y button is returning key; this means your mobile system can support international standard gamepad, just download game and play directly. **(If can't operate, then refer to part of Android MTK mobile operation)**
 Gam Download: scan QR code on the manual(or go website: <http://www.migamepad.com>)to enter into MIGAMEPAD download center, then you can download MIGAMEPAD game application or third party's game application. MIGAMEPAD Game center have all gamepad games, and support NES/GB/GBC/SFC/SMD/GBA/N64/MAME/PS games. Users can also download simulator BIN files to Games file folder in mobile, then can use MIGAMEPAD software to open the game file, like many famous games: Super Mario, Metal Slug, Sangokushi and so on.
 Android games usually have gamepad type, download this kind of games, just connect with Bluetooth then can operate with gamepad directly, this kind of games are like: Eternity Warriors 2 and so on. (Some games maybe need set to use gamepad control when playing)

- **Android MTK device**

Like Redmi 3G version, Huawei Honor3X, CoolPAD, Zhongxing etc, these old style mobiles use MTK CPU, due to MTK bad compatibility, they can't support international standard gamepad agreement. So if by standard Android connection method, unusual problems will happen. We preset MTK mode to support MIGAMEPAD games.

- **Android BaoFeng MoJing mode**

With this mode, the gamepad bluetooth name will Changes to (Mojing-VR-xxx). This mode just for BaoFeng MoJing APP! On MoJing mode, SELECT&A is enter button, START&B is return button, X is menu button, left joystick can move cursor in menu of the app, when playing video with left joystick, up is volume+, down is volume-, left is fast rewind, right is fast forward.

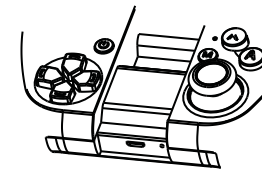
- **iOS iCade mode**

安卓设备连接手柄后不会调出软键盘, 扫描二维码下载并设置使用讯飞输入法就可以调出软键盘了 (请不要升级讯飞输入法的版本, 升级后就无效啦)!

- **苹果设备**

手柄连接后, 点击模式键, 模式灯长亮。开启辅助功能模式!
 此时 **L2=音量减 R2=音量加 B=HOME键 START=播放/暂停键**
方向键的向右=下一曲 向左=上一曲 向上=快进 向下=快退
 (需要先打开播放软件) 也适用于苹果自带视频播放软件; 再次点击模式键, 模式灯熄灭, 转为正常模式! **苹果设备连接手柄后会造出软键盘无法调出, 可点击模式键调出软键盘! 仅限苹果设备!**

充电:



本产品内置可充电锂离子电池, 当电量过低时, 工作灯将呈红色闪烁。此时插入USB接口进行充电! 充电时工作灯红色长亮, 当充满电时红色工作灯熄灭。

注意事项:

- ① 当意外情况导致无法开机或无法关机, 请用细针轻击USB口边小孔内的复位 (Reset) 按键。
- ② 如果出现已配对, 不能连接情况, 请取消配对, 并将手柄重新开机, 尝试重新搜索连接。

规格参数:

项目	规格
产品型号	MOCUTE-050
产品尺寸	142*90*40mm
无线协议	Wireless 3.0 compliant
无线距离	2-10M

Enter into APP store or other Apple store, search iCade, then you can find games of iCade which support gamepad, download and install then ok. like Akane Lite, Brotherhood, TTR Premium and so on. Before play games, please set keyboard input mode to English input and can input English letters then ok (Some games maybe need set to use iCade when playing).

- **iOS NEWGAME mode**

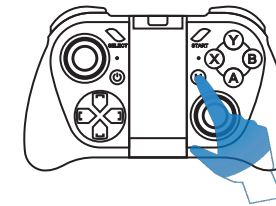
Scan QR code on the manual to download NEWGAME APP! then you can use the gamepad to play games in the APP!

Additional function:

- **Android device**

after connected with bluetooth, pressing MODE KEY, Mode LED will be long on. additional function start!
Right joystick = mouse
L1/R3=left key of mouse **R1=right key of mouse**
L2=volume- R2=volume+ A/L3=enter B=return Y=home
 If open the music/video player
START=play/pause Arrow keys right=next Arrow keys left=prev
Arrow keys up = fast forward Arrow keys down = rewind
 pressing MODE KEY again, then mode LED off, additional function stop.

when connected with gampad, the soft keyboard can't work, we can use QR code software to scan QR code on the manual to enter into MIGAMEPAD download center, then download XunFei Input and use this. now the soft keyboard can work! just for Android device!



- **iOS device**

after connected with bluetooth, pressing MODE KEY, Mode LED will be long on. additional function start!
now L2=volume- R2=volume+ B=home function
 if open the music player or Videos APP
START=play/pause Arrow keys right=next Arrow keys left=prev
Arrow keys up=fast forward Arrow keys down=rewind
 pressing MODE KEY again, Mode LED off, additional function stop.
when connected with gampad, if soft keyboard can't work, hitting MODE KEY can set soft keyboard working! but just for iOS device!

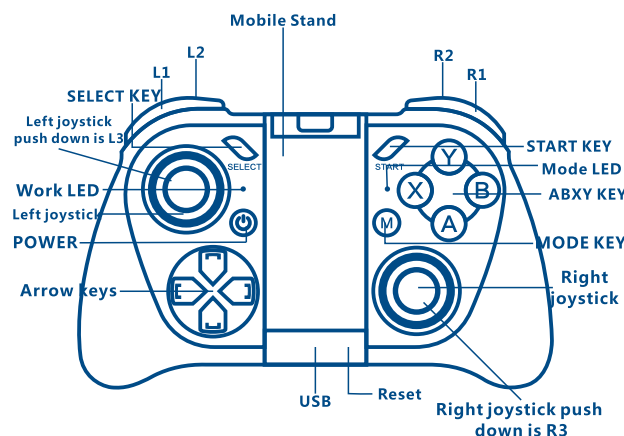
支持系统	Android、iOS、PC
电池	可充电式锂电池3.7V 400mA
连续使用时间	约40小时
工作电流	0.5-8mA



扫描二维码获取各种资源, 精彩就此开始!

MOCUTE GAMEPAD

operation manual



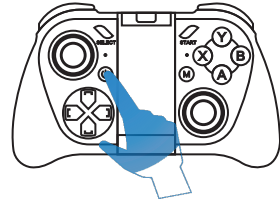
Operating instructions:

- **Power** Press Power button until Work LED is on(about 2 seconds). Default is stand automatic mode.

Power on mode changing instruction (please operate when power off)

Stand automatic mode: Press A button, then press POWER to power on, Work LED will be flash with blue. now is standard mode! when connected with Android equipment then it is stand Android mode; when connected with iOS equipment, then change to iOS iCade mode.

Android MTK mode: Press Y button, then press POWER to power on,



Work LED will be flash with blue. now is Android MTK mode!

iOS NEWGAME mode: Press X button, then press POWER to power on, Work LED will be flash with blue. now is iOS NEWGAME mode!

Android BaoFeng MoJing mode: Press B button, then press POWER to power on, Work LED will be flash with blue. now is Android BaoFeng MoJing mode!

Remark:

(1)After use the specified mode one time, then press POWER button to power on next time, gampad will default specified mode before. If need shift to other mode, please refer to above power on mode.

(2)Under standard automatic mode, when connected with Android equipment, it is stand Android mode; when connected with iOS equipment, then change to iOS iCade mode automatically.

- **Pair and connect**

After power on, Work LED will flash, the device will enter into the bluetooth pair mode automatically to find the address and name of this device (MOCUTE-050-XXX), click then can connect. Pair and connect successfully, Work LED will turn off. Next power on, it can connect and match the last bluetooth device automatically. Under turn off state, long press START button more than 8 seconds, Work LED will flash, then go to pair mode again, and can't connect last paired device automatically.

- **Power off**

Long press POWER button, Work LED light will flash to off (about 5 seconds), gamepad will power off.

Many thanks for purchasing our product! This is a portable wireless gamepad, used for mobile phone, MID, TV box, smart TV, PC and so on. It is supported iOS, Android, Windows operate system and so on.

Important Note: Products are subject to change without any notice. And this product has applied for patents, counterfeiting!

Product Specifications:

Items	Specifications
Machine model	MOCUTE-050
Product size	142*90*40mm
Wireless protocol	Wireless 3.0 compliant
Wireless distance	2-10M
Support system	Android、iOS、PC
Battery	Rechargeable Li-3.7V 400mA
Continuous game time	about 40 hours
Working current	0.5-8mA



Scan the QR code to get more details, helps and game resources!