

MF150

User Manual

Please read this guide carefully before use and keep it for future use.

For your safety

Please read this manual before using the cell phone to ensure your safety and proper use.



SWITCH OFF IN HOSPITALS

Please abide by relevant provisions or regulations. Please turn off your mobile phone near medical equipment.



SWITCH OFF WHEN REFUELING

Don't use the phone at a refueling point. Don't use near fuel or chemicals.



SIM CARDS AND TF CARD ARE PORTABLE

Keep your phone, phone parts and accessories out of children's reach.



BATTERY

Please do not destroy or damage the battery, it can be dangerous and cause fire. Please do not throw battery in fire to avoid hazard. When battery cannot be used, please dispose in safe environment. Do not try to dismantle the battery. If the battery or authorized charger is broken or old, please stop using them, and replace with certified genuine battery.



USE QUALITY EQUIPMENT

Use authorized equipment to avoid danger.



ROAD SAFETY COMES FIRST

Give full attention while driving, Park before using your phone. Please follow traffic rules of local city town.



INTERFERENCE

All wireless devices may be susceptible to cause interference, which could affect performance.



SWITCH OFF IN AIRCRAFT

Wireless devices can cause interference in aircraft. It's not only dangerous but also illegal to use mobile phone in an aircraft.

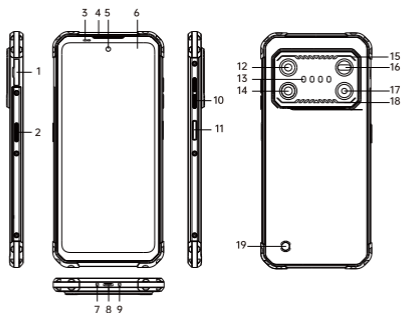


ONE SIM NEEDLE FOR TWO PURPOSES

Take out the SIM card tray Use the SIM needle to install or remove the lanyard from the lanyard hole.

Learn about the phone

● Overview



- ① Card Tray
- ② F150 Key
- ③ Light Sensor
- ④ Receiver
- ⑤ Front Camera(32M)
- ⑥ Touch screen
- ⑦ Microphone
- ⑧ Headset/USB interface
- ⑨ Waterproof test hole
- ⑩ Volume Key
- ⑪ Power Key/Fingerprint
- ⑫ Rear Camera(64M)
- ⑬ Photo flash
- ⑭ Infrared Thermometer
- ⑮ pickup lights
- ⑯ Infrared lamp
- ⑰ Night vision camera(20M)
- ⑱ pickup lights
- ⑲ Speaker

● Function Keys

KEYS	FUNCTIONS
POWER KEY	Press to turn on/off the screen. Press and hold to reboot, power off the phone, and emergency.
VOLUME KEY	Press to adjust the volume of device.
HOME KEY (ON THE SCREEN)	Tap to return to Home screen.
BACK KEY (ON THE SCREEN)	Tap to return to the previous screen.
FINGERPRINT KEY	Press to unlock the phone.
F150 KEY(SOS)	Click 5 times to enter SOS mode.

Before using

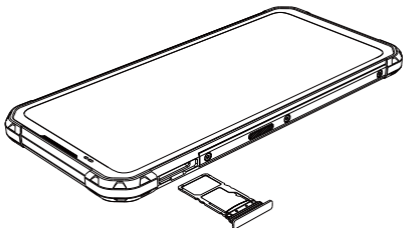
The phone is a Dual SIM mobile that allows you to use two mobile networks.

- **Insert SIM cards and TF card**
- **Stick into the pin hole with eject tool, and then card tray will be out of phone.**

Insert the Nano SIM cards and TF card to the card slots correctly.

Card 1 supports Nano SIM1 card.

Card 2 supports Nano SIM2 card or TF card.



Note:

1. Do not remove the cards while the device is transferring data. Doing so may cause data to be lost or damage to the cards and device.
2. The SIM cards and TF card are small parts. Please keep away from Children to avoid swallowing the card by accident.
3. Please do not touch the metal surface of SIM and TF cards and keep them away from electromagnetic field to avoid damaged data.

- **Charge the Battery**

Charge the battery before using it.

Getting started

- **Basic Function**

1. Turn on the phone

Press and hold the power key for a while to turn on the phone.

2. Turn off the phone

Long press the power key until a menu shows. Choose "Power off" to turn off the phone.

3. Restart the phone

Option 1: Long press the power key until a menu shows. Choose "Reboot" to restart the phone.

Option 2: Long press the power key till 13 seconds to auto restart the phone automatically.

4. Lock the screen

Option 1: Press the power key to turn off the screen and lock it.

Option 2: The screen will auto lock if you don't use the phone for a while.

5. Unlock the screen

Press the power key for unlocking.

WARNINGS AND NOTES

- **Operational Warnings**

Important information on safe and efficient operation. Read this information before using your phone. For the safe and efficient operation of your phone, observe these guidelines:

- **Potentially explosive at atmospheres:**

Turn off your phone when you are in any areas with a potentially explosive atmosphere, such as fueling areas (gas or petrol stations, below deck on boats), storage facilities for fuel or chemicals, blasting areas and areas near electrical blasting caps, and areas where there are chemicals or particles (Such as metal powders, grains, and dust) in the air.

- **Interference to medical and personal Electronic Devices:**

Most but not all electronic equipment is shielded from RF signals and certain electronic equipment may not be shielded against the RF signals from your phone.

- **Audio Safety:**

This phone is capable of producing loud noises which may damage your hearing. When using the speaker phone feature, it is recommended that you place your phone at a safe distance from your ear.

- **Other Medical Devices, hospitals:**

If you use any other personal medical device, consult the manufacturer of your device to determine if it is adequately shielded from external RF energy. Your physician may be able to assist you in obtaining this information. Turn your phone OFF in health care facilities when any regulations posted in these areas instruct you to do so. Hospitals or health care facilities may be using equipment that could be sensitive to external RF energy.

- **Product statement on handling and use:**

You alone are responsible for how you use your phone and any consequences of its use.

You must always switch off your phone wherever the use of a phone is prohibited. Use of your phone is subject to safety measures designed to protect users and their environment.

Always treat your phone and its accessories with care and keep it in a clean and dust-free place.

Do not expose your phone or its accessories to open flames or lit tobacco products.

Do not expose your phone or its accessories to liquid, moisture, or high humidity.

Do not drop, throw, or try to bend your phone or its accessories.

Do not use harsh chemicals, cleaning solvents, or aerosols to clean the device or its accessories.

Do not attempt to disassemble your phone or its accessories; only authorized personnel can do so.

Do not expose your phone or its accessories to extreme temperatures, minimum 32°F and maximum 104°F (0°C to 40°C).

● **Battery:**

Your phone includes an internal lithium-ion or lithium-ion polymer battery. Please note that use of certain data applications can result in heavy battery use and may require frequent battery charging. Any disposal of the phone or battery must comply with laws and regulations pertaining to lithium-ion or lithium-ion polymer batteries.

● **Faulty and damaged products:**

Only qualified personnel can service or repair the phone or its accessory. If your phone or its accessory has been submerged in water, Punctured, or subjected to a severe fall, do not use it until you have taken it to be checked at an authorized service center.

● **Safety information**

Do not use the mobile phone in the environment at too high or too low temperature,

never expose the mobile phone under strong sunshine or too wet environment.

The maximum operating ambient temperature of the equipment is 40°C.



Excessive sound pressure from earphones and headphones can cause hearing loss.

To prevent possible hearing damage, do not listen at high volume levels for long periods.



Waste Electrical and Electronic Equipment (WEEE)

This symbol means that according to local laws and regulations your product and/or its battery shall be disposed of separately from household waste. When this product reaches its end of life, take it to a collection point designated by local authorities. Proper recycling of your product will protect human health and the environment.

● **Accessory information**

Battery: 5000mAh

All software versions released by the manufacturer have been verified and are still compliant with the related rules.

● **Product specification**

FREQUENCY BAND	Supports Bands (MHz) : GSM:B2/B3 GSM:B5/B8 WCDMA:B1/B2/B4/B5/B8 CDMA:BC0(815-894MHz) TDD:B38/B40/B41 FDD:B1/B2/B3/B4/B5/B7/B8/ B12/B13/B17/B18/B19/B20/ B25/B26/B28(A+8)/B66	Max Power: 29.5±2dBm 32.5±2dBm 23±2dBm 23±2dBm 22±1dBm 22±1dBm
WLAN	Frequency (MHz): 2412~2472 5180~5240 5260~5320 5745~5825	Max Power: 17±2dBm(EIRP) 16±2dBm(EIRP) 16±2dBm(EIRP) 16±2dBm(EIRP)
BT	Frequency (MHz): 2402~2480	Max Power: 8±2dBm(EIRP)

● Warning

1. Use careful with the earphone maybe possible excessive sound pressure from earphones and headphones can cause hearing loss.
2. CAUTION: RISK OF EXPLOSION IF BATTERY IS REPLACED BY AN INCORRECT TYPE. DISPOSE OF USED BATTERIES ACCORDING TO THE INSTRUCTIONS.



3. The product shall only be connected to a USB interface of version USB2.0.
4. Adapter shall be installed near the equipment and shall be easily accessible.
5. Operation temperature: -10~40°C.
6. The plug considered as disconnect device of adapter.
7. SAR: The device complies with RF specifications when the device used at 0.5cm from your body (SAR limit 2.0 W/Kg). The device is in compliance with the requirements.

● Restrictions in the 5 GHz band:

According to Article 10 (10) of Directive 2014/53/EU, the packaging shows that this radio equipment will be subject to some restrictions when placed on the market in Belgium (BE), Bulgaria (BG), the Czech Republic (CZ), Denmark (DK), Germany (DE), Estonia (EE), Ireland (IE), Greece (EL), Spain (ES), France (FR), Croatia (HR), Italy (IT), Cyprus (CY), Latvia (LV), Lithuania (LT), Luxembourg (LU), Hungary (HU), Malta (MT), Netherlands (NL), Austria (AT), Poland (PL), Portugal (PT), Romania (RO), Slovenia (SI), Slovakia (SK), Finland (FI), Sweden (SE), Turkey (TR), Norway (NO), Switzerland (CH), Iceland (IS), and Liechtenstein (LD).

The WLAN function for this device is restricted to indoor use only when operating in the 5150 to 5250 MHz frequency range.

	ES	LU	RO	CZ	FR	HU	SI
	DK	HR	BE	BG	DE	EE	IE
	EL	IT	Cy	LV	LT	SK	MT
	NL	AT	PL	PT	FI	SE	TR
	NO	CH	IS	LI			

Statement of Compliance

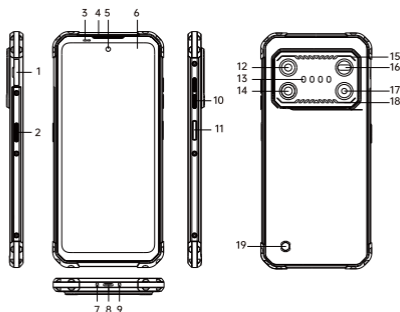
The SAR value for head is:1.11 W/kg.

The SAR value for body is:1.47W/kg.

The highest SAR limit stated in the international guidelines is 2.0W/kg.

Lernen Sie das Telefon kennen

• Überblick



- | | |
|----------------------------------------------------------------------------------------------------------------------------------------------------------------------------------------------------------------------------------------------------------------------------------------------------------------|----------------------------------------------------------------------------------------------------------------------------------------------------------------------------------------------------------------------------------------------------------------------------------------------------------------|
| <ul style="list-style-type: none"> ❶ Kartenfach ❷ F150-Schlüssel ❸ Lichtsensor ❹ Empfänger ❺ Frontkamera (32M) ❻ Touchscreen ❼ Mikrofon ❽ Headset/USB-Schnittstelle ❾ Wasserdichtes Testloch ❿ Lautstärketaste | <ul style="list-style-type: none"> ⓫ Einschalttaste/Fingerabdruck ⓬ Rückfahrkamera (64 M) ⓭ Fotoblitz ⓮ Infrarotthermometer ⓯ Aufnahmelichter ⓰ Infrarotlampe ⓱ Nachtsichtkamera (20M) ⓲ Aufnahmelichter ⓳ Lautsprecher |
|----------------------------------------------------------------------------------------------------------------------------------------------------------------------------------------------------------------------------------------------------------------------------------------------------------------|----------------------------------------------------------------------------------------------------------------------------------------------------------------------------------------------------------------------------------------------------------------------------------------------------------------|

• Funktionstasten

Tasten	Funktionen
Power-Taste	Drücken, um den Bildschirm ein-/auszuschalten. Gedrückt halten, um die Optionen Neustart/Ausschalten.
Lautstärke-Taste	Drücken, um die Lautstärke des Geräts einzustellen.
Home-Taste (auf Bildschirm)	Tippen, um zum Startbildschirm zurückzukehren.
Zurück-Taste (auf Bildschirm)	Tippen, um zum vorherigen Bildschirm zurückzukehren.
Fingerabdruck-Taste	Drücken, um das Telefon zu entsperren.
F150-Taste (SOS)	5-mal drücken, um den SOS-Modus aufzurufen.

Vor dem Gebrauch

Das Telefon ist ein Dual-SIM-Handy, mit dem Sie zwei Mobilfunknetze nutzen können.

- **SIM-Karten und TF-Karte einlegen**
- **Stechen Sie mit der Auswurf-Nadel in das Stiftloch hinein, um das Kartenfach aus dem Telefon heraus zu holen.**

Setzen Sie die Nano-SIM-Karten und die TF-Karte richtig in die Kartensteckplätze ein.

Karte 1 unterstützt die Nano-SIM1-Karte.

Karte 2 unterstützt die Nano-SIM2-Karte or TF-Karte..

- **Aufladen des Akkus**

Laden Sie den Akku auf, bevor Sie ihn verwenden.

Erste Schritte

- **Grundfunktion**

1. Einschalten des Telefons

Drücken und halten Sie die Power-Taste für kurze Weile, um das Telefon einzuschalten.

2. Ausschalten des Telefons

Drücken und halten Sie die Power-Taste so lange, bis ein Menü erscheint. Wählen Sie "Ausschalten", um das Telefon auszuschalten.

3. Neustart des Telefons

Option 1: Drücken und halten Sie die Power-Taste so lange, bis ein Menü erscheint. Wählen Sie "Neustart", um das Telefon neu zu starten.

Option 2: Drücken und halten Sie die Power-Taste bis zu 13 Sekunden lang, um das Telefon automatisch neu zu starten.

4. Sperren des Bildschirms

Option 1: Power-Taste kurz drücken, um den Bildschirm auszuschalten und zu sperren.

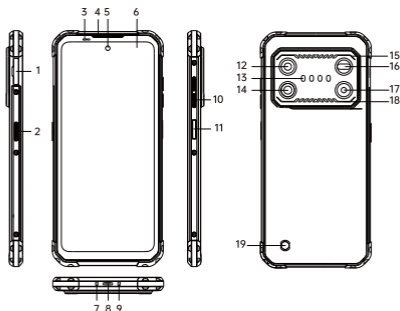
Option 2: Der Bildschirm wird automatisch gesperrt, wenn das Telefon eine Zeit lang nicht benutzt wird.

5. Entsperren des Bildschirms

Power-Taste kurz drücken, um den Bildschirm zu entsperren.

Узнать о телефоне

• Обзор



- ❶ Лоток для карт
- ❷ Ключ F150
- ❸ Датчик освещенности
- ❹ Приемник
- ❺ Передняя камера (32М)
- ❻ Сенсорный экран
- ❼ Микрофон
- ❽ Гарнитура/интерфейс USB
- ❾ Водонепроницаемое тестовое отверстие
- ❿ Клавиша громкости
- ⓫ Клавиша питания/отпечаток пальца
- ⓬ Задняя камера (64М)
- ⓭ Фотовспышка
- ⓮ Инфракрасный термометр
- ⓯ Пикапы
- ⓰ Инфракрасная лампа
- ⓱ Камера ночного видения (20М)
- ⓲ Пикапы
- ⓳ Динамик

• Функциональная клавиши

Клавиши	Функции
Клавиша питания	Нажмите, чтобы включить / выключить экран. Нажмите и удерживайте, чтобы перезагрузить, выключить телефон.
Клавиша громкости	Нажмите, чтобы отрегулировать громкость устройства.
Клавиша Главная (на экране)	Нажмите, чтобы вернуться на главный экран.
Клавиша назад (на экране)	Нажмите, чтобы вернуться к предыдущему экрану.
Клавиша отпечатка пальца	Нажмите, чтобы разблокировать телефон.
Клавиша F150 (SOS)	Нажмите 5 раз, чтобы войти в режим SOS.

Перед использованием

Телефон представляет собой мобильный телефон с двумя SIM-картами, который позволяет использовать две мобильные сети.

- **Вставьте SIM-карты и TF-карту**
- **Вставьте инструмент для извлечения в отверстие для булавки, тогда лоток для карт выйдет из телефона.**

Правильно вставьте Nano SIM-карты и TF-карту в слоты для карт.

Karte 1 поддерживается карта Nano SIM1.

Karte 2 поддерживается карта Nano SIM2 or TF-карта.

- **Зарядите батарею**

Перед использованием зарядите батарею.

Начало работы

- **Базовые функции**

1. Включение телефона

Нажмите и удерживайте кнопку питания некоторое время, чтобы включить телефон.

2. Выключение телефона

Нажмите и удерживайте кнопку питания, пока не появится меню. Выберите «Выключить», чтобы выключить телефон.

3. Перезагрузка телефона

Вариант 1: Нажмите и удерживайте кнопку питания, пока не появится меню. Выберите «Перезагрузить», чтобы перезагрузить телефон.

Вариант 2: нажмите и удерживайте кнопку питания до 13 секунд, чтобы телефон автоматически перезагрузился.

4. Блокировка экрана

Вариант 1: Нажмите кнопку питания, чтобы выключить и заблокировать экран.

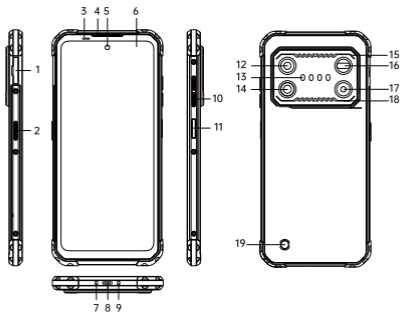
Вариант 2: Экран автоматически заблокируется, если вы не пользуетесь телефоном какое-то время.

5. Разблокировка экрана

Нажмите кнопку включения для разблокировки.

Description

- **Aperçu**



- ❶ Bac à cartes
- ❷ Touche F150
- ❸ Capteur de luminosité
- ❹ récepteur
- ❺ caméra avant (32M)
- ❻ écran tactile
- ❼ microphone
- ❽ casque/Interface USB
- ❾ trou de test étanche
- ❿ Touche de volume
- ⓫ Touche d'alimentation/ Empreinte digitale
- ⓬ Caméra arrière (64M)
- ⓭ Flash photo
- ⓮ Thermomètre infrarouge
- ⓯ Lumières de ramassage
- ⓰ Lampe infrarouge
- ⓱ Caméra de vision nocturne (20M)
- ⓲ Lumières de ramassage
- ⓳ Haut-parleur

● Détails des touches physiques et tactiles

Touche	Fonction
BOUTON MARCHÉ/ARRÊT	Appuyez sur cette touche pour allumer ou éteindre l'écran. Appuyez et maintenez cette touche pour redémarrer, éteindre le téléphone.
TOUCHES VOLUME	Appuyez sur cette touche pour régler le volume de l'appareil.
Ecran d'accueil (sur l'écran)	Appuyer sur cette touche pour revenir à l'écran d'accueil.
Touche Retour (sur l'écran)	Appuyer sur cette touche pour revenir à l'écran précédent.
LECTURE D'EMPREINTE DIGITALE	Appuyez sur le lecteur pour déverrouiller le téléphone.
TOUCHE F150 (SOS)	Cliquez 5 fois pour passer en mode SOS.

Avant utilisation

La fonction Dual SIM vous permet d'utiliser deux cartes SIM simultanément.

- **Insérez les cartes SIM et la carte TF**
- **D'abord insérer l'épingle fournie dans le trou à cet effet, puis le support de la carte sortira du téléphone.**

Insérez correctement les cartes Nano SIM et la carte TF dans les emplacements pour cartes

La carte 1 prend en charge la carte Nano SIM1.

La carte 2 prend en charge la carte Nano SIM2 or carte TF.

- **Charger la Batterie**

Charger la batterie avant utilisation.

Mise en marche

- **Fonctions de base**

1. Allumer le téléphone

Appuyer longuement sur la touche marche / arrêt jusqu'à ce que le téléphone s'allume

2. Eteindre le téléphone

Appuyez longuement sur la touche marche / arrêt jusqu'à affichage du menu. Choisissez «Eteindre ou Power Off» pour éteindre le téléphone.

3. Redémarrer le téléphone

Option 1: Appuyez longuement sur la touche marche / arrêt jusqu'à affichage du menu. Choisissez «Redémarrer» pour redémarrer le téléphone.

Option 2: Appuyez longuement sur la touche marche / arrêt pendant 13 secondes pour redémarrer le téléphone automatiquement

4. Verrouiller l'écran

Option 1: Appuyez sur la touche marche / arrêt pour éteindre l'écran et le verrouiller.

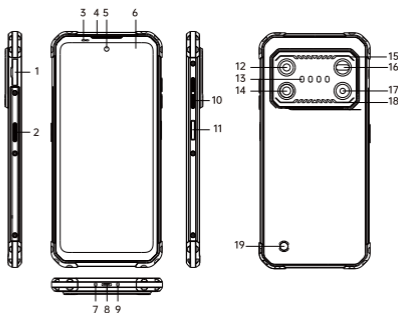
Option 2: L'écran se verrouille automatiquement si vous n'utilisez pas le téléphone pendant un certain temps.

5. Déverrouiller l'écran

Appuyez sur la touche marche / arrêt pour déverrouiller.

電話機の詳細

● 概要



① カードトレイ

② F150 キー

③ 光センサー

④ レシーバー

⑤ フロントカメラ(32M)

⑥ タッチスクリーン

⑦ マイク

⑧ ヘッドセット/USBインターフェース

⑨ 防水テストホール

⑩ 音量キー

⑪ 電源キー/指紋

⑫ 背面カメラ(64M)

⑬ フォトフラッシュ

⑭ 赤外線温度計

⑮ ピックアップライト

⑯ 赤外線ランプ

⑰ 暗視カメラ(20M)

⑱ ピックアップライト

⑲ スピーカー

● 機能キー

キー	機能
電源キー	押して画面をオン/オフにします 長押しして電話を再起動、電源オフ。
ボリュームキー	押してデバイスのボリュームを調節します。
ホームキー (画面上)	タップしてホーム画面に戻ります。
戻るキー (画面上)	タップして前回の画面に戻ります
Fingerprint key指紋キー	押して電話をロック解除します。
F150 Key F150 キー (SOS)	5回押して SOS モードに入ります。

ご使用前に

本電話機は2つのモバイルネットワークを使用することができるデュアルSIM モバイルです。

● カードおよびTFカードを挿入する

● イジェクトツールでピンホールに差し込むと、カードトレイが電話から出てきます。

カードおよびTFカードをカードスロットに正しく挿入します。

カード1はNano SIM1 カードをサポートします。

カード2はNano SIM2 カードをサポートしますor TF カードをサポートします。

● バッテリーの充電

本機のご使用前にバッテリーを充電します。

はじめに

● 基本機能

1. 電話をオンにする

電源キーをしばらく長押しして電話をオンにします。

2. 電話をオフにする

電源キーをメニューが表示されるまで長押しします。「電源オフ」を選択して電話をオフにします。

3. 電話の再起動

オプション1: 電源キーをメニューにと表示されるまで長押しします。「再起動」を選択して電話を再起動します。

オプション2: 電源キーを 13秒間まで長押しして 電話を自動的に再起動します。

4. 画面をロックする

オプション1: 電源キーを押して画面をオフにしてロックします。

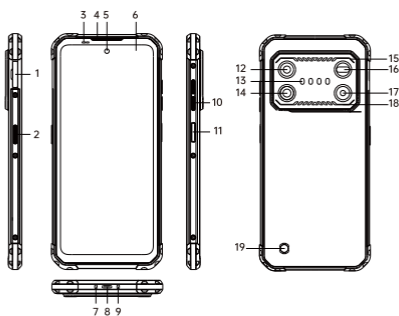
オプション2: 電話を長期間使用しないと画面は自動的にロックされます。

5. 画面のロック解除

電源キーを押してロック解除します。

Información sobre el teléfono

● Vista general



- ❶ Bandeja de tarjetas
- ❷ Tecla F150
- ❸ Sensor de luz
- ❹ Receptor
- ❺ Cámara frontal (32M)
- ❻ Pantalla táctil
- ❼ Micrófono
- ❽ Auriculares/interfaz USB
- ❾ Agujero de prueba impermeable
- ❿ Tecla de volumen
- ⓫ Tecla de encendido/huella digital
- ⓬ Cámara trasera (64M)
- ⓭ Flash de fotos
- ⓮ Termómetro infrarrojo
- ⓯ Luces de recogida
- ⓰ Lámpara infrarroja
- ⓱ Cámara de visión nocturna (20M)
- ⓲ Luces de recogida
- ⓳ Altavoz

● Botones de función

Botones	Funciones
Botón de encendido y apagado	Pulsar para encender/apagar la pantalla. Pulsar y mantener pulsado para reiniciar, apagar el teléfono.
Botón de volumen	Pulsar para ajustar el volumen del dispositivo.
Tecla de inicio (en la pantalla)	Pulsar para volver a la pantalla de Inicio.
Tecla Volver (en la pantalla)	Pulsar para volver a la pantalla anterior.
Tecla de huella dactilar	Pulsar para desbloquear el teléfono.
Botón F150 (SOS)	Pulsar 5 veces para entrar en modo SOS.

Antes del uso

Este teléfono es un móvil con Dual SIM que le permite usar dos redes móviles.

- **Introduzca tarjetas SIM y tarjeta TF**
- **Inserte un objeto puntiagudo en el orificio y la bandeja de la tarjeta se abrirá.**
Inserte correctamente las tarjetas Nano SIM y la tarjeta TF en las ranuras para tarjetas.
Tarjeta 1 para tarjeta Nano SIM1.
Tarjeta 2 para tarjeta Nano SIM2 or para tarjeta TF.
- **Carga de la batería**
Cargue la batería antes de usarla.

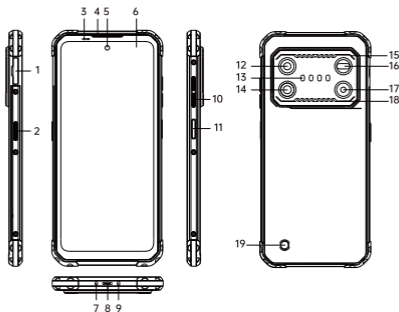
Para empezar

● Funcioni di base

- 1. Encender el teléfono**
Pulse y mantenga pulsado el botón de encendido durante unos segundos para encender el teléfono.
- 2. Apagar el teléfono**
Mantenga pulsado el botón de encendido hasta que aparezca el menú. Seleccione "Apagar" para apagar el teléfono.
- 3. Reiniciar el teléfono**
Opción 1: Mantenga pulsado el botón de encendido hasta que aparezca el menú. Seleccione "Reiniciar" para reiniciar el teléfono.
Opción 2: Mantenga pulsado el botón de encendido durante 13 segundos para reiniciar automáticamente el teléfono.
- 4. Bloquear la pantalla**
Opción 1: Pulse el botón de encendido para apagar la pantalla y bloquearla.
Opción 2: La pantalla se bloqueará automáticamente si usted está un rato sin usar el teléfono.
- 5. Desbloquear la pantalla**
Pulse el botón de encendido para desbloquear.

Informazioni sul telefono

● Visione d'insieme



- 1 Vassoio schede
- 2 Chiave F150
- 3 Sensore di luce
- 4 Ricevitore
- 5 Fotocamera frontale (32M)
- 6 Touch screen
- 7 Microfono
- 8 Auricolare/Interfaccia USB
- 9 Foro di prova impermeabile
- 10 Tasto volume
- 11 Tasto di accensione/impronta digitale
- 12 Fotocamera posteriore (64M)
- 13 Flash fotografico
- 14 Termometro a infrarossi
- 15 luci di rilevamento
- 16 Lampada a infrarossi
- 17 Telecamera per la visione notturna (20M)
- 18 luci di rilevamento
- 19 Altoparlante

● Tasti funzione

Tasti	Funzioni
Tasto di accensione	tPremere per accendere/spegnere lo schermo. Tenere premuto per riavviare, spegnere il telefono.
Tasto volume	Premere per regolare il volume del dispositivo.
Tasto Home (sullo schermo)	Tocca per tornare alla schermata Home.
Tasto indietro (sullo schermo)	Tocca per tornare alla schermata precedente.
Tasto impronta digitale	Premere per sbloccare il telefono.
Tasto F150(SOS)	Cliccare 5 volte per accedere alla modalità SOS.

Prima dell'uso

Il telefono è un cellulare Dual SIM che permette di utilizzare due reti mobili.

- **Inserimento delle schede SIM e della scheda TF**
- **Inserire nel foro del perno lo strumento di estrazione e l'alloggiamento della scheda uscirà dal telefono.**

Inserire correttamente le schede Nano SIM e la scheda TF nei relativi alloggiamenti.

Scheda 1 supporta la scheda Nano SIM1.

Scheda 2 supporta la scheda Nano SIM2 or scheda TF.

- **Ricarica della batteria**
Ricaricare la batteria prima dell'uso.

Iniziamo

- **Funzioni di base**

1. Accensione del telefono

Tenere premuto brevemente il tasto di accensione per accendere il telefono.

2. Spegnimento del telefono

Tenere premuto a lungo il tasto di accensione finché non compare un menù. Scegliere "Spegni" per spegnere il telefono.

3. Riavvio del telefono

Opzione 1: Tenere premuto a lungo il tasto di accensione finché non compare un menù. Scegliere "Riavvia" per riavviare il telefono.

Opzione 2: Tenere premuto a lungo il tasto di accensione per 13 secondi per riavviare automaticamente il telefono.

4. Blocco dello schermo

Opzione 1: Premere il tasto di accensione per spegnere lo schermo e bloccarlo.

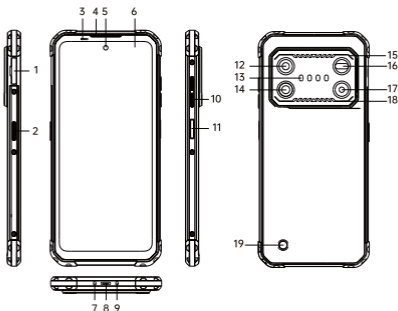
Opzione 2: Lo schermo si bloccherà automaticamente se non si usa il telefono per un po'.

5. Sblocco dello schermo

Premere il tasto di accensione per sbloccare.

التعرف على الهاتف

● نظره عامه



البطاقة درج ①	بصمة / التشغيل مفتاح ⑪
مفتاح F150 ②	الخلفية الكاميرا (64M) ⑫
الضوء مستشعر ③	للصور فلاش ⑬
مستقبل ④	الحمراء تحت الأشعة حرارة ⑭
لملمية كاميرا (32M) ⑤	صغيرة أضواء ⑮
تعمل باللمس شاشة ⑥	الحمراء تحت الأشعة مصباح ⑯
ميكروفون ⑦	الليلية للرؤية كاميرا (20M) ⑰
USB ولجهة / رأس سماعة ⑧	صغيرة أضواء ⑱
للماء مقاوم اختبار ثقب ⑨	الصوت مكبر ⑲
الصوت مفتاح ⑩	

● مفاتيح الوظائف

المفاتيح	الوظائف
مفتاح الطاقة (التشغيل)	اضغط لتشغيل/إيقاف الشاشة. اضغط باستمرار على إعادة التشغيل، وإيقاف تشغيل الهاتف.
مفتاح الصوت	اضغط لضبط مستوى صوت الجهاز.
مفتاح الشاشة الرئيسية (على الشاشة)	اضغط للعودة إلى الشاشة الرئيسية.
مفتاح الرجوع (على الشاشة)	اضغط للعودة إلى الشاشة السابقة.
مفتاح بصمة الإصبع	اضغط لفتح الهاتف.
مفتاح (SOS)F150	لقرى 5 مرات لدخول على وضع SOS (الطوارئ).

قبل الاستخدام

الهاتف عبارة عن هاتف ذات بطاقة مزدوجة SIM. يسمح لك باستخدام شبكتين الهاتف المحمول

- أخرج بطاقات SIM وبطاقة TF
 - اغرز الديوس في فتحة الديوس باستخدام أداة الإخراج، ثم سوف تخرج درج البطاقة
- أخرج بطاقات نانو SIM وبطاقة TF. في فتحات البطاقات بشكل صحيح
- بطاقة 1 تدعم بطاقات نانو SIM1
بطاقة 2 تدعم بطاقات نانو SIM2 or تدعم بطاقة TF.

• شحن البطارية

اشحن البطارية لتقبل استخدامها.

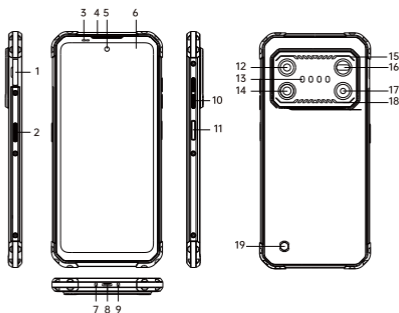
بدء التشغيل

• الوظيفة الأساسية

1. قم بتشغيل الهاتف
اضغط باستمرار على مفتاح الطاقة (التشغيل) لفترة من الوقت لتشغيل الهاتف.
2. قم بإيقاف تشغيل الهاتف
اضغط لفترة طويلة على مفتاح الطاقة (التشغيل) حتى تظهر قائمة اختر "إيقاف التشغيل" لإيقاف الهاتف.
3. إعادة تشغيل الهاتف
الخيار 1: اضغط لفترة طويلة على مفتاح الطاقة (التشغيل) حتى تظهر قائمة، اختر "إعادة التشغيل" لإعادة تشغيل الهاتف.
الخيار 2: اضغط لفترة طويلة على مفتاح الطاقة (التشغيل) حتى 13 ثانية لإعادة تشغيل الهاتف تلقائيًا
4. قفل الشاشة
الخيار 1: اضغط على مفتاح الطاقة (التشغيل) لإيقاف تشغيل الشاشة وإغلاقها.
الخيار 2: سوف تُقفل الشاشة تلقائيًا إذا كنت لا تستخدم الهاتف لفترة من الوقت.
5. فتح الشاشة
اضغط على مفتاح الطاقة لفتح الشاشة.

Aflați despre telefon

• Prezentare generală



- ① Tava card
- ② F150 Tasta
- ③ Senzor de lumină
- ④ Receiver
- ⑤ Camera frontală (32M)
- ⑥ Ecran tactil
- ⑦ Microfon
- ⑧ Set cu cască/interfață USB
- ⑨ Gaura de testare impermeabilă
- ⑩ Tasta de volum
- ⑪ Tasta de pornire/Amprenta
- ⑫ Camera spate (64M)
- ⑬ Bliț foto
- ⑭ Termometru cu infraroșu
- ⑮ Lumini de captare
- ⑯ Lampa cu infraroșu
- ⑰ Cameră de vedere nocturnă (20M)
- ⑱ Lumini de captare
- ⑲ Difuzor

● Taste funcționale

Chei	Funcții
Tasta de pornire	Apăsați pentru a porni/opri ecranul. Apăsați lung pentru a reporni, opriți telefonul.
Tasta de volum	Apăsați pentru a regla volumul dispozitivului.
Tasta Acasă (pe ecran)	Atingeți pentru a reveni la ecranul de pornire.
Tasta Înapoi (pe ecran)	Atingeți pentru a reveni la ecranul anterior.
Cheie de amprentă	Apăsați pentru a debloca telefonul.
Tasta F150 (SOS)	Faceți clic de 5 ori pentru a intra în modul SOS.

Înainte de utilizare

Telefonul este un mobil Dual SIM care vă permite să utilizați două rețele mobile.

- **Introduceți cartelele SIM și cardul TF**
- **Lipiți în orificiul pentru știft cu instrumentul de evacuare, iar apoi tava pentru carduri va fi scoasă din telefon.**

Introduceți corect cardurile Nano SIM și cardul TF în sloturile pentru carduri.

Cardul 1 acceptă cardul Nano SIM1.

Cardul 2 acceptă cardul Nano SIM2 sau cardul TF.
- **Incarca bateria**

Încărcați bateria înainte de a o folosi.

Noțiuni de bază

● Funcție de bază

1. Porniți telefonul

Apăsați și mențineți apăsată tasta de pornire pentru un timp pentru a porni telefonul.

2. Opriți telefonul

Apăsați lung tasta de pornire până când apare un meniu. Alegeți „Oprire” pentru a opri telefonul.

3. Reporniți telefonul

Opțiunea 1: apăsați lung tasta de pornire până când apare un meniu. Alegeți „Reporniți” pentru a reporni telefonul.

Opțiunea 2: apăsați lung tasta de pornire până la 13 secunde pentru a reporni automat telefonul.

4. Blocați ecranul

Opțiunea 1: apăsați tasta de pornire pentru a opri ecranul și a-l bloca.

Opțiunea 2: Ecranul se va bloca automat dacă nu utilizați telefonul o perioadă.

5. Deblocați ecranul

Apăsați tasta de pornire pentru deblocare.

WWW. IIF150. COM